

TF-750S

TF-900S

TF-1100S

TF-1280H

TF-1300H

TF-1700H



RADIAL DRILLING MACHINE



MT4-系列 TF-750S/TF-900S



FEATURES-HANDLE

1. roller bearing at basement is built round a double column provides max. rigidity and accuracy.
2. protection design for limited safety is utilized in every transmission section.

特點-手動

1. 本機之直立柱採雙柱設計、耐用、安全適合重切削。
2. 各部傳動皆有極限安全保護設計。

MT4-系列

TF-1100S



FEATURES-HANDLE

1. roller bearing at basement is built round a double column provides max. rigidity and accuracy.
2. protection desing for limited safety is utilized in every transmission section.

特點-手動

1. 本機之直立柱採雙柱設計、耐用、安全適合重切削。
2. 各部傳動皆有極限安全保護設計。

MT4-系列

TF-1280H



FEATURES-PRECISION HEAVY DUTY

1. separates speed operation on locking installation easy and convenient to operate. excellent & exact precision.
2. opening model on precision heavy duty installation. easy to save and repair.
3. 12-speed gear box with more function.

特點-油壓

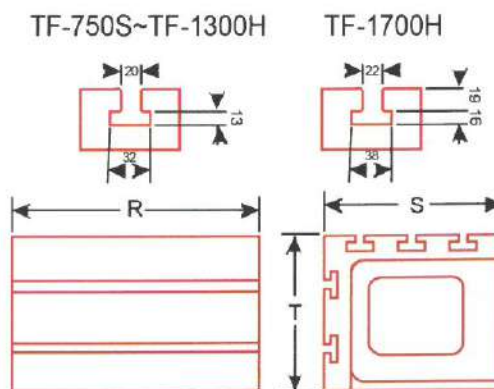
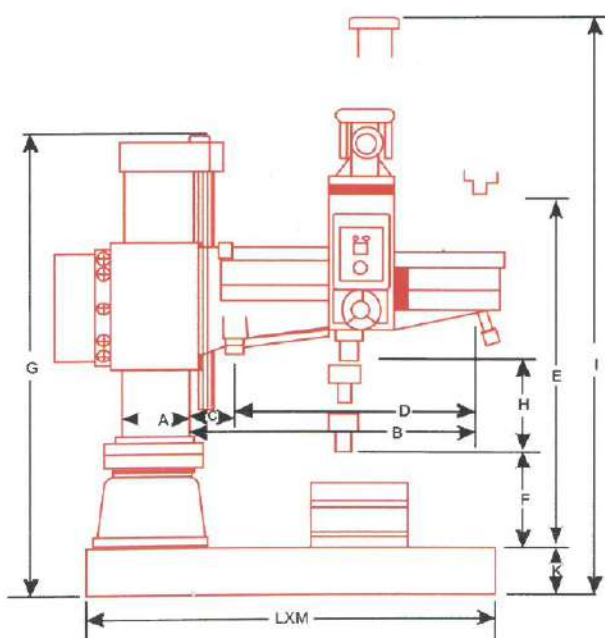
1. 鎖緊裝置採分段式操作，簡單、方便、操作容易、精度優良準確。
2. 油壓裝置採開放式，易保養及維修。
3. 齒輪箱採12段變速，有較多功能。

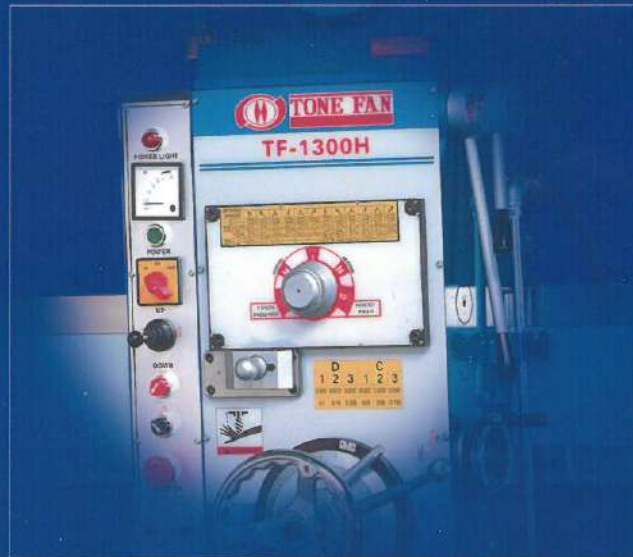
ITEM 型式 MODEL			TF-750S	TF-900S	TF-1100S	TF-1280H	TF-1300H	TF-1700H
Capacity 最大工作能量	Drilling 鑽孔	Steel 鋼	38	38	50	50	55	60
		castiron 鑄鐵	50	50	60	60	66	70
	Tapping 攻牙	Steel 鋼	25	25	30	30	50	50
		castiron 鑄鐵	32	32	38	38	60	60
	Boring 銇孔	Steel 鋼	75	75	85	85	100	126
		castiron 鑄鐵	105	105	120	120	160	180
Spindle stroke 主軸上下行程		H	200	200	250	250	250	250
Size of morse Taper 主軸孔莫氏梯狀直徑			NO.4	NO.4	NO.4	NO.4	5	5
Spindle speed 主軸轉速			88-1500(6)	88-1500(6)	44-1500(12)	44-1500(12)	44-1500(12)	30-1500(12)
Spindle Feeds 主軸進給範圍			(0.05/0.09/0.15)	(0.05/0.09/0.15)	(0.05/0.09/0.15)	(0.05/0.09/0.15)	0.05-0.306(6)	0.05-0.306(6)
Column Diameter 立柱直徑		A	210	210	300	300	300	336
Max.distance, column surface spindle center 立柱面至主軸中心最大距離		B	765	910	1150	1250	1260	1650
Min.distance, column surface spindle center 立柱面至主軸中心最小距離		C	290	290	330	330	330	360
Horizontal Travel of Headstock 主軸頭左右移動行程		D	500	650	810	920	925	1300
Max.distance, base to spindle 底座至主軸最大距離		E	1110	1110	1210	1210	1210	1410
Min. distance ,base to spindle 底座至主軸最小距離		F	282	282	290	290	290	344
Overall height of column 機檯全高		G	1850	1850	2140	2140	2140	2440
Machine height from floor 機檯最大高度		I	2175	2175	2585	2585	2590	3030
Dimensions of base(LxMxK) 底座尺寸			1280X640X150	1435X640X150	1800X800X170	1800X800X170	1800X800X170	2360X940X230
Effective area of table(RxSxT) 工作檯有效區			550X405X315	550X405X315	650X500X410	650X500X410	650X500X410	800X540X400
Spindle drive motor(HP) 主軸驅動馬達			2HP	2HP	3HP(4PX8P)	3HP(4PX8P)	5HP4P/8P	7.5HP4P/12P
Arm elevation motor(HP) 旋轉驅動馬達			1HP	1HP	2HP	2HP	2HP	2HP
Coolant pump(HP) 冷卻幫浦			1/8HP	1/8HP	1/8HP	1/8HP	1/8HP	1/8HP
Oil motor(HP) 油壓馬達						1HP	1HP	1HP
weight-Approx(kg) 淨重			1100kgs	1170kgs	2000kgs	2050kgs	2150kgs	3150kgs
Gross weight-Approx(kg) 總重			1200kgs	1270kgs	2100kgs	2150kgs	2250kgs	3250kgs
Measurement(LxWxH) 裝箱尺寸			1430X820X2060	1580X820X2060	2010X1050X2230	2290X1100X2230	2290X1100X2230	2850X1210X2540

All specifications and designs are subject to change without notice. No notice further. All the sizes with $\pm 5\%$ inaccuracy.
本公司保留隨時修改上述規格之權利。不另行通知。所有尺寸有5%的誤差。

※TF-1700H 需使用加高櫃
TF-1700H need loads with
HQ container.

※Standard accessories: 標準配件:
Tools . . . 1set 工具箱 × 1組
Cooling pump . . . 1set 冷卻系統 × 1組
Lamp . . . 1set 工作燈 × 1組
Table . . . 1set 方形工作檯 × 1個





捷特機械貿易私人有限公司

J-TECH MACHINERY TRADING PTE LTD

Specialise in all kinds of new & used machineries

Blk 38, #03-13 Defu Lane 10 Singapore 539215

Tel: 62839906 Fax: 62836995

E-mail: jtechtrd@singnet.com.sg www.jtech.com.sg

<http://www.tonefan.com.tw>

E-mail: tonefan@ms62.hinet.net

公司

二段357號

., LTD.

NG CITY, TAIWAN, R.O.C.

4-25152034

NO.357, SEC.2,

TEL: