

TF-750S

TF-900S

TF-1100S

TF-1280H

TF-1300H

TF-1700H



# RADIAL DRILLING MACHINE



MT5-系列

TF-1300H



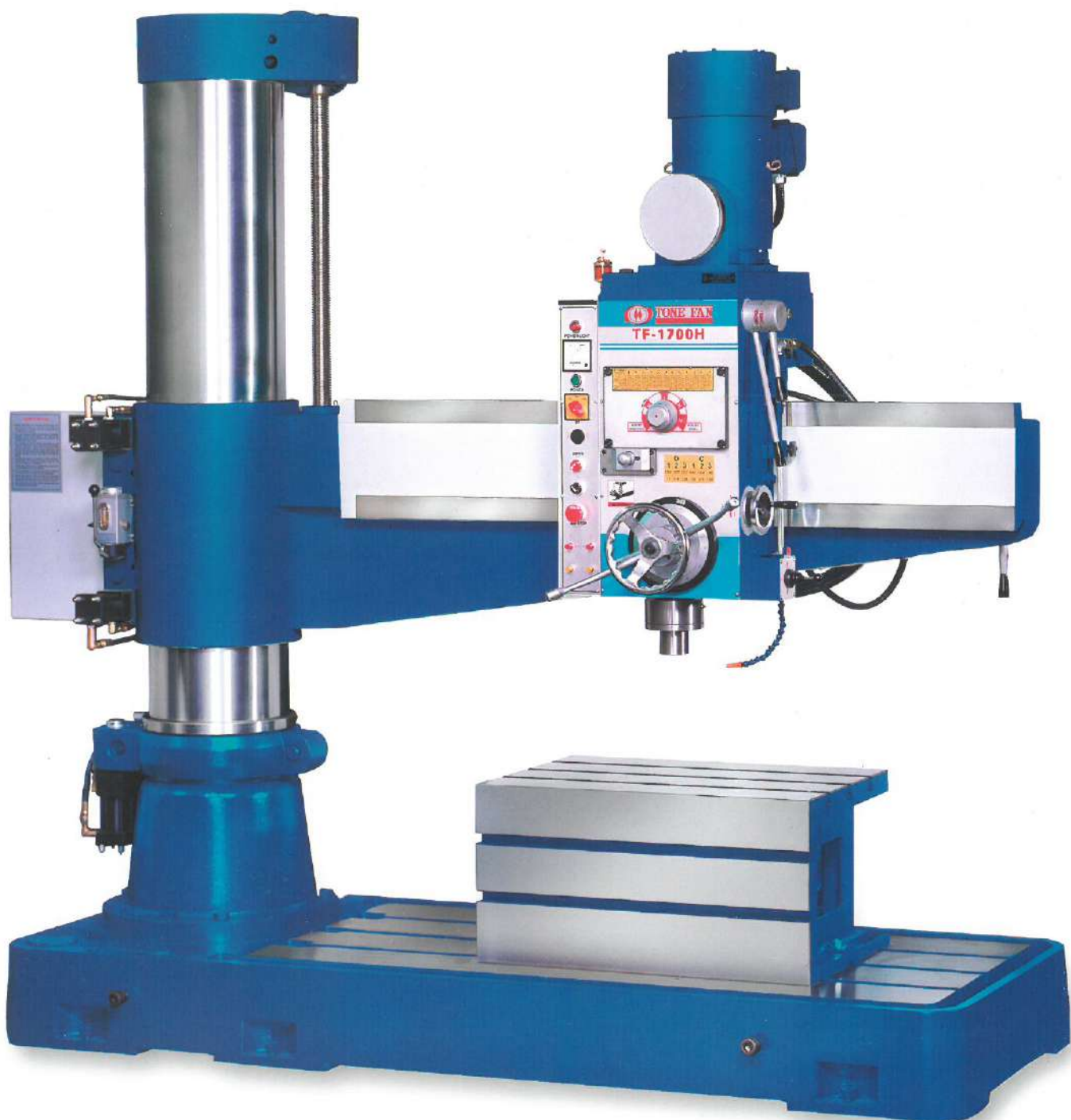
#### FEATURES

1. roll bearing at basement is built round a double column provides max. rigidity and accuracy.
2. spindle main gear are made of SCM material all through harden and precision grinding.
3. bed is solid construction, it reinforced by ribs. it provided a positive, rocking proof foundation format, stability.
4. column is duplex type. the inner cylinder has a thick wall and reinforced by ribs.

#### 產品特色：

1. 下層滾動培林圍繞在雙圓柱上，提供了最大的硬度和精確性。
2. 底座是堅硬的結構，並經過精心設計的(肋骨)增強，它供應了一個確實的基礎，最大的穩定性。
3. 主軸主要齒輪是以鉻鉬合金鋼做成，並且都是經過調質滲碳熱處理和精密的研磨。
4. 圓柱是雙柱設計，內側圓筒有厚牆和經過肋骨加強。

# MT5-系列 TF-1700H



## FEATURES

1. machine made by FC-30 cast-iron.
2. each transmission spindle installed secure protection.
3. precision heavy duty installation. easily precisely and instantly operation.
4. precision heavy duty & electric system. independent control design. security for electricity supply system.
5. built with worm gear and shaft design for transmissible system, Energy-saving and durable.

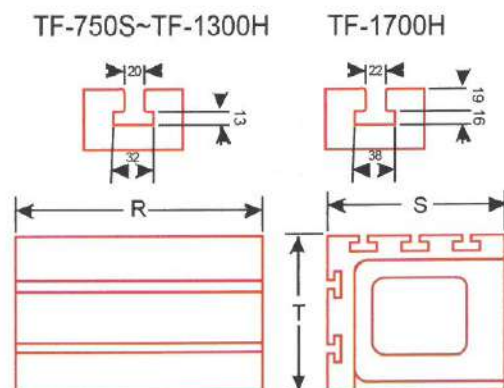
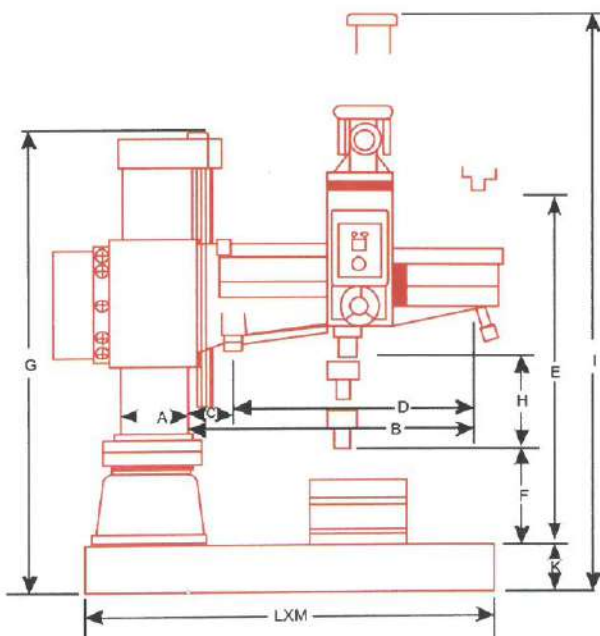
1. 本機全由(FC-30)鑄鐵構成。
2. 各傳動軸皆有高效安全保護裝置。
3. 本機為精密油壓系統構成，方便操作，準確迅速。
4. 油壓系統與電器系統，採分離式設計，確保供電系統安全。
5. 主要傳動系統，皆採渦輪渦桿設計，省力，耐用，高效率。

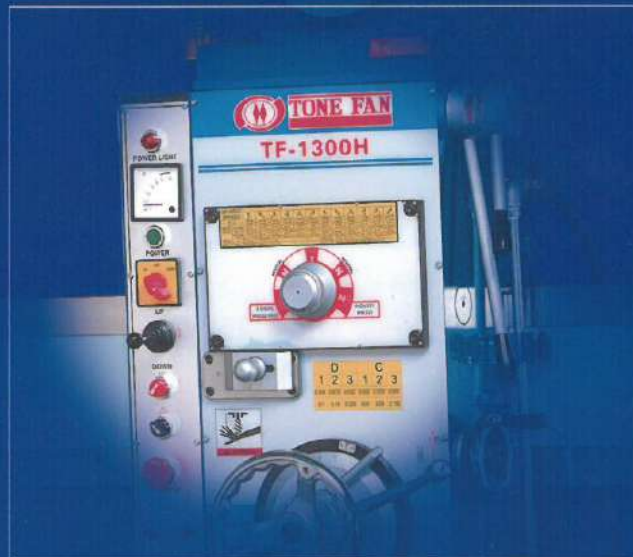
ITEM 型式 MODEL		TF-750S	TF-900S	TF-1100S	TF-1280H	TF-1300H	TF-1700H	
Capacity 最大工作能量	Drilling 鑽孔	Steel 鋼	38	38	50	50	55	60
		castiron 鑄鐵	50	50	60	60	66	70
	Tapping 攻牙	Steel 鋼	25	25	30	30	50	50
		castiron 鑄鐵	32	32	38	38	60	60
	Boring 銇孔	Steel 鋼	75	75	85	85	100	126
		castiron 鑄鐵	105	105	120	120	160	180
Spindle stroke 主軸上下行程	H	200	200	250	250	250	250	
Size of morse Taper 主軸孔莫氏錐度		NO.4	NO.4	NO.4	NO.4	5	5	
Spindle speed 主軸變速		88-1500(6)	88-1500(6)	44-1500(12)	44-1500(12)	44-1500(12)	30-1500(12)	
Spindle Feeds 主軸進給範圍		(0.05/0.09/0.15)	(0.05/0.09/0.15)	(0.05/0.09/0.15)	(0.05/0.09/0.15)	0.05-0.306(6)	0.05-0.306(6)	
Column Diameter 立柱直徑	A	210	210	300	300	300	336	
Max.distance, column surface spindle center 立柱面至主軸中心最大距離	B	765	910	1150	1250	1260	1650	
Min.distance, column surface spindle center 立柱面至主軸中心最小距離	C	290	290	330	330	330	360	
Horizontal Travel of Headstock 主軸頭左右移動行程	D	500	650	810	920	925	1300	
Max.distance, base to spindle 底座至主軸最大距離	E	1110	1110	1210	1210	1210	1410	
Min. distance ,base to spindle 底座至主軸最小距離	F	282	282	290	290	290	344	
Overall height of column 機械全高	G	1850	1850	2140	2140	2140	2440	
Machine height from floor 機械最大高度	I	2175	2175	2585	2585	2590	3030	
Dimensions of base(LxMxK) 底座尺寸		1280X640X150	1435X640X150	1800X800X170	1800X800X170	1800X800X170	2360X940X230	
Effective area of table(RxSxT) 工作檯有效區		550X405X315	550X405X315	650X500X410	650X500X410	650X500X410	800X540X400	
Spindle drive motor(HP) 主軸驅動馬達		2HP	2HP	3HP(4PX8P)	3HP(4PX8P)	5HP4P/8P	7.5HP4P/12P	
Arm elevation motor(HP) 旋轉驅動馬達		1HP	1HP	2HP	2HP	2HP	2HP	
Coolant pump(HP) 冷卻幫浦		1/8HP	1/8HP	1/8HP	1/8HP	1/8HP	1/8HP	
Oil motor(HP) 油壓馬達					1HP	1HP	1HP	
weight-Approx(kg) 淨重		1100kgs	1170kgs	2000kgs	2050kgs	2150kgs	3150kgs	
Gross weight-Approx(kg) 總重		1200kgs	1270kgs	2100kgs	2150kgs	2250kgs	3250kgs	
Measurement(LxWxH) 裝箱尺寸		1430X820X2060	1580X820X2060	2010X1050X2230	2290X1100X2230	2290X1100X2230	2850X1210X2540	

All specifications and designs are subject to change without notice. No notice further. All the sizes with  $\pm 5\%$  inaccuracy.  
本公司保留隨時修改上述規格之權利。不另行通知。所有尺寸有5%的誤差。

※ TF-1700H 需使用加高櫃  
TF-1700H need loads with  
HQ container.

※ Standard accessories: 標準配件:  
Tools . . 1set 工具箱 × 1組  
Cooling pump . . 1set 冷卻系統 × 1組  
Lamp . . 1set 工作燈 × 1組  
Table . . 1set 方形工作檯 × 1個





捷特機械貿易私人有限公司

J-TECH MACHINERY TRADING PTE LTD

*Specialise in all kinds of new & used machineries*

Blk 38, #03-13 Defu Lane 10 Singapore 539215

**Tel: 62839906 Fax: 62836995**

E-mail: [jtechtrd@singnet.com.sg](mailto:jtechtrd@singnet.com.sg) [www.jtech.com.sg](http://www.jtech.com.sg)

<http://www.tonefan.com.tw>

E-mail: [tonefan@ms62.hinet.net](mailto:tonefan@ms62.hinet.net)

公司

二段357號

., LTD.

NG CITY, TAIWAN, R.O.C.

4-25152034

NO.357, SEC.2,

TEL: